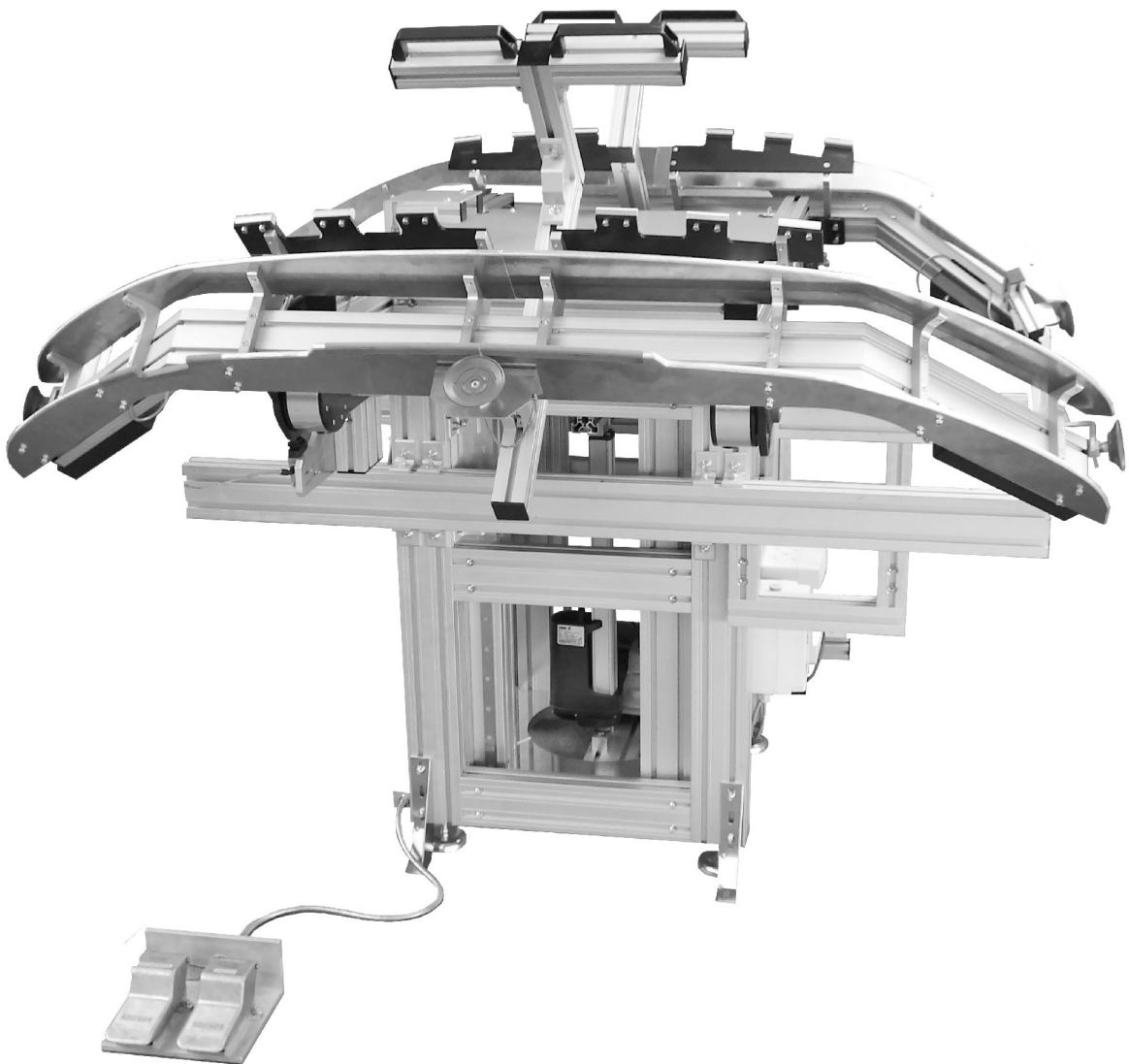
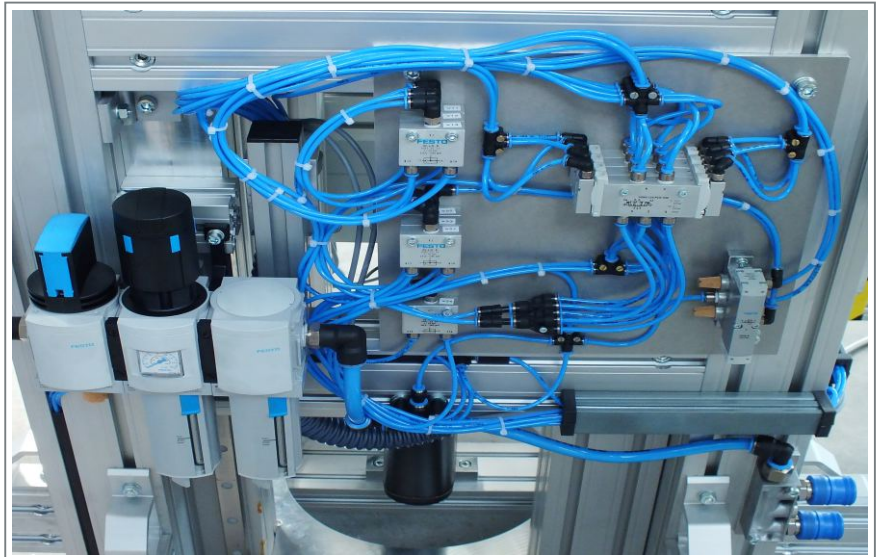
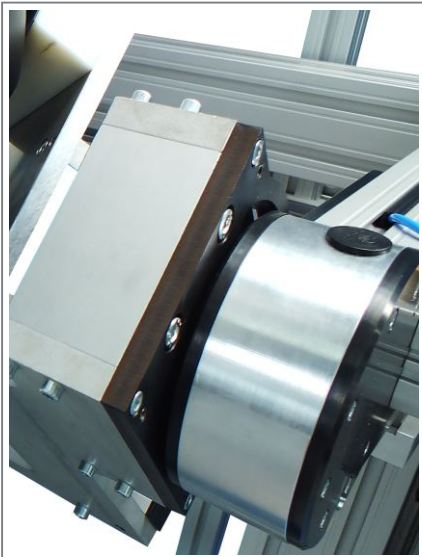
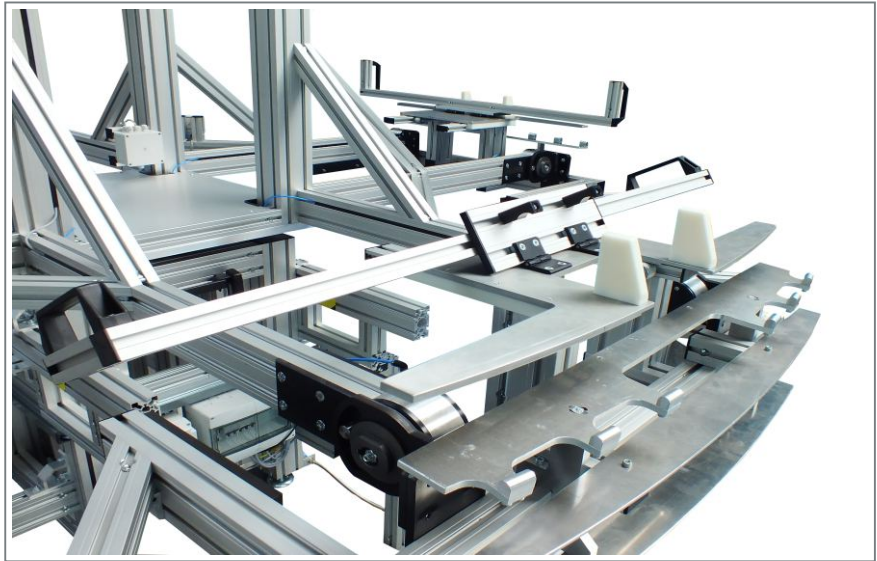
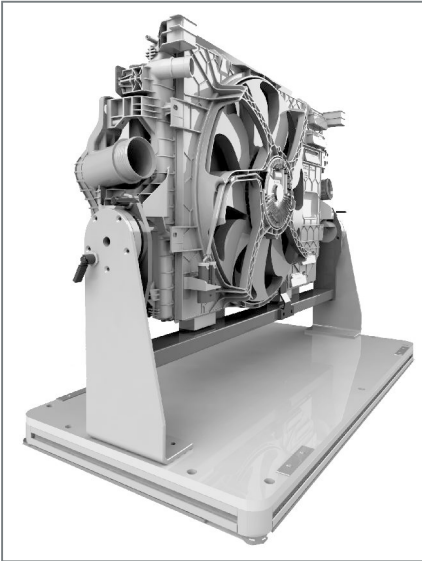


# ASSEMBLY FIXTURES

Click and done!

- Work processes made ergonomical and efficient
- Rugged and flexible





Positioning, fixing and clamping of components in assembly fixtures adapted specifically to the respective work process is crucial for ensuring flawless assembly while saving time too.

We implement individual assembly fixtures based on your specifications for a wide variety of products. For instance, components can be clamped, positioned with utmost precision and secured manually, pneumatically or by means of vacuum.

A sensor- or code-controlled assembly with on-screen support is also possible like quality assurance thanks to intelligent assembly planning based on the poka-yoke principle.

**ALTRATEC Automation GmbH**  
Stuttgart Plant  
Am Längenbühl 1  
71229 Leonberg  
GERMANY  
Ph. +49 7152 3 56 56-0  
Fax. +49 7152 3 56 56-29  
[www.altratec.de](http://www.altratec.de) · [info@altratec.de](mailto:info@altratec.de)

**ALTRATEC Automation GmbH**  
Chemnitz Plant  
Südstraße 9  
09221 Neukirchen  
GERMANY  
Ph. +49 371 28134-0  
Fax. +49 371 28134-34  
[www.altratec.de](http://www.altratec.de) · [info@altratec.de](mailto:info@altratec.de)

**China Plant**  
Bachtel Ltd.  
Suzhou New District, Suzhou City,  
Jiangsu Province  
China, PC. 215151  
Ph. +86 512 65 36 00 65  
Fax. +86 512 65 36 09 06

**Certified according to DIN EN ISO 9001**