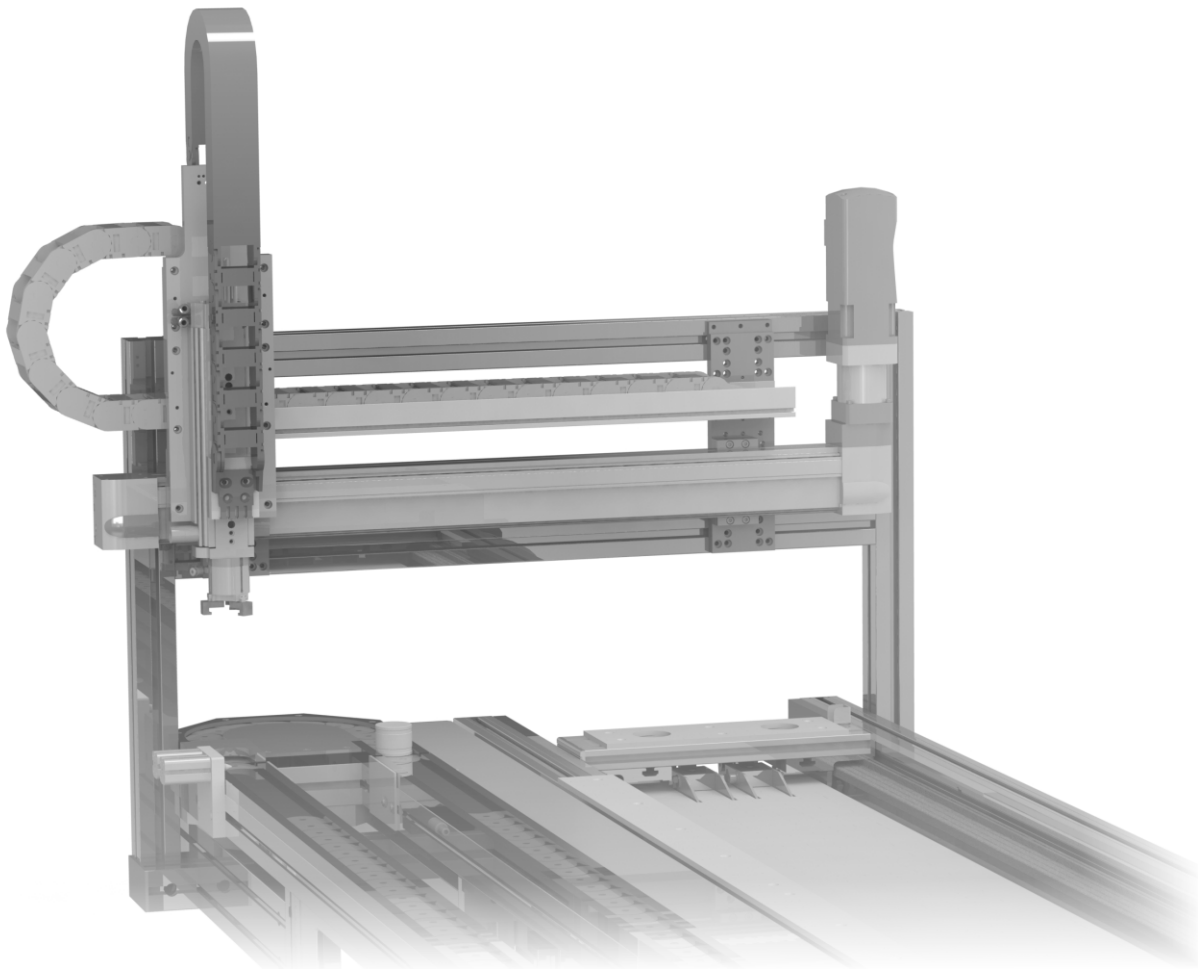


PICK AND PLACE SYSTEMS

Transferring parts quickly, precisely and efficiently

- Quick transfer of parts between fixed positions
- Wide variety of axis and gripper combinations allows for optimal adaptation to the products and dynamic requirements





Task

Workpieces must be supplied quickly and reliably during production processes. To this end, a wide variety of Pick & Place solutions can be used which have to be quicker or more flexible depending the relevant process. In some cases, workpieces must only be transferred or transferred and rotated at the same time.

Less demanding requirements can be met using conventional Pick & Place units combined with pneumatic individual components. If the requirements on cycle time are greater, either pneumatic high-speed units (e.g. servo-pneumatics) or even linear motors can be set up as Pick & Place units. In combination with rotary modules and different grippers, we configure the customized Pick & Place system to suit your application.



ALTRATEC Automation GmbH
Stuttgart Plant
Am Längenbühl 1
71229 Leonberg
GERMANY
Ph. +49 7152 3 56 56-0
Fax. +49 7152 3 56 56-29
www.altratec.de · info@altratec.de

Certified according to DIN EN ISO 9001

ALTRATEC Automation GmbH
Chemnitz Plant
Südstraße 9
09221 Neukirchen
GERMANY
Ph. +49 371 28134-0
Fax. +49 371 28134-34
www.altratec.de · info@altratec.de

China Plant
Bachtel Ltd.
Suzhou New District, Suzhou City,
Jiangsu Province
China, PC. 215151
Ph. +86 512 65 36 00 65
Fax. +86 512 65 36 09 06