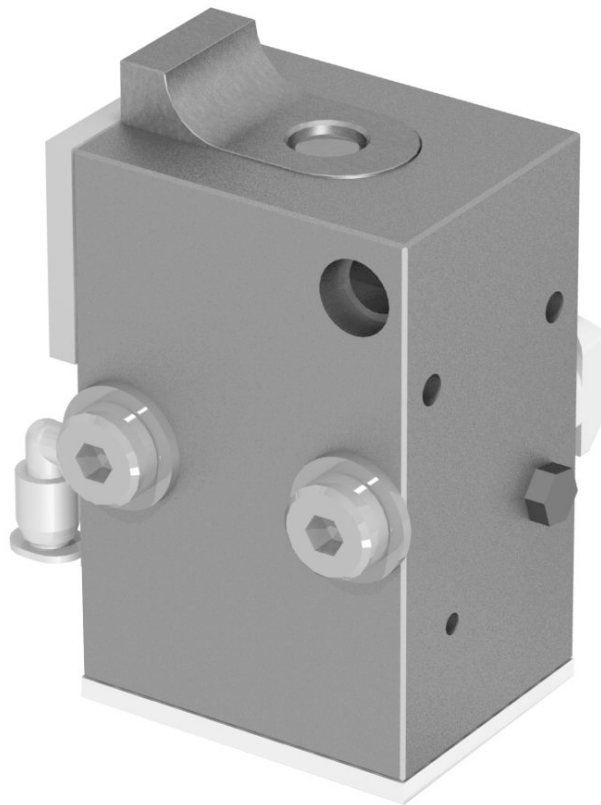


STOPPER

Safe stopping for your products

- A stopper for all of ALTRATEC conveyor systems
- Rugged due to simple design
- With brackets for various sensors available for delivery



Stopper design

Sturdy, solid enclosure made of anodized aluminium

Cams of hardened steel

Available as single or double pistons for higher tractive forces during opening

Design with prismatic stop cam for centering of WP carriers available for delivery, (when combined with a second stopper, an indexing of a WP carrier can frequently be eliminated)

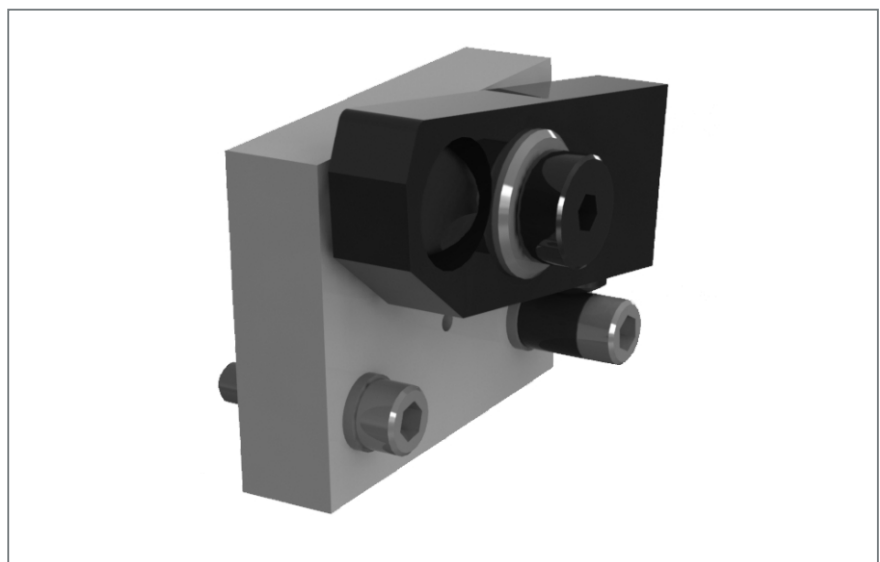


Non-return mechanism

Hardened steel retainer for long service life

Smooth running design

For overhead conveyors (overhead installation) with spring-loaded retainer



ALTRATEC Automation GmbH

Stuttgart Plant
Am Längenbühl 1
71229 Leonberg
GERMANY
Ph. +49 7152 3 56 56-0
Fax. +49 7152 3 56 56-29
www.altratec.de · info@altratec.de

Certified according to DIN EN ISO 9001

ALTRATEC Automation GmbH

Chemnitz Plant
Südstraße 9
09221 Neukirchen
GERMANY
Ph. +49 371 28134-0
Fax. +49 371 28134-34
www.altratec.de · info@altratec.de

China Plant

Bachtel Ltd.
Suzhou New District, Suzhou City,
Jiangsu Province
China, PC. 215151
Ph. +86 512 65 36 00 65
Fax. +86 512 65 36 09 06