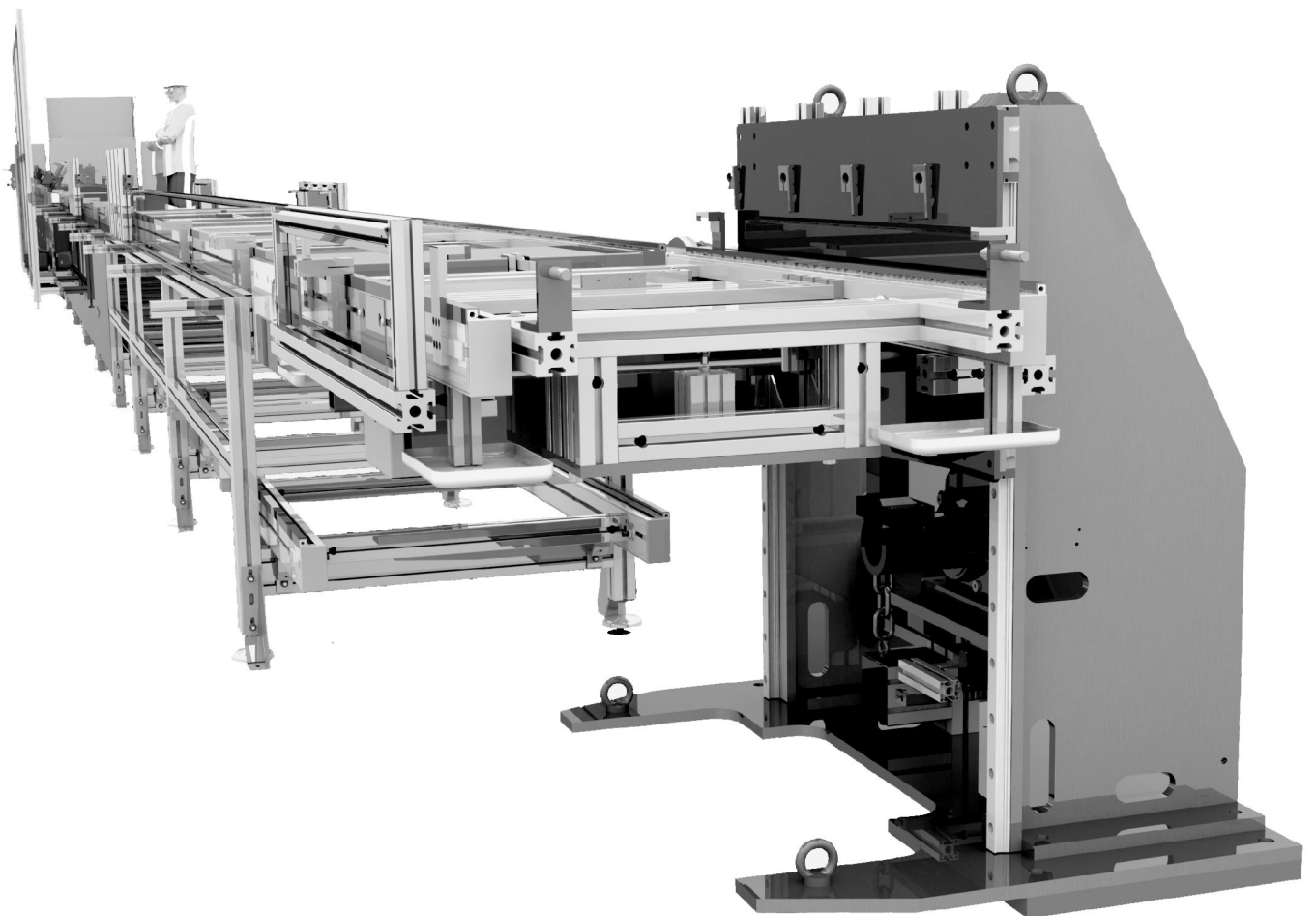


LIFTS

Transporting in multiples stages

- Overcoming small height differences
- Simple design
- Different drive concepts

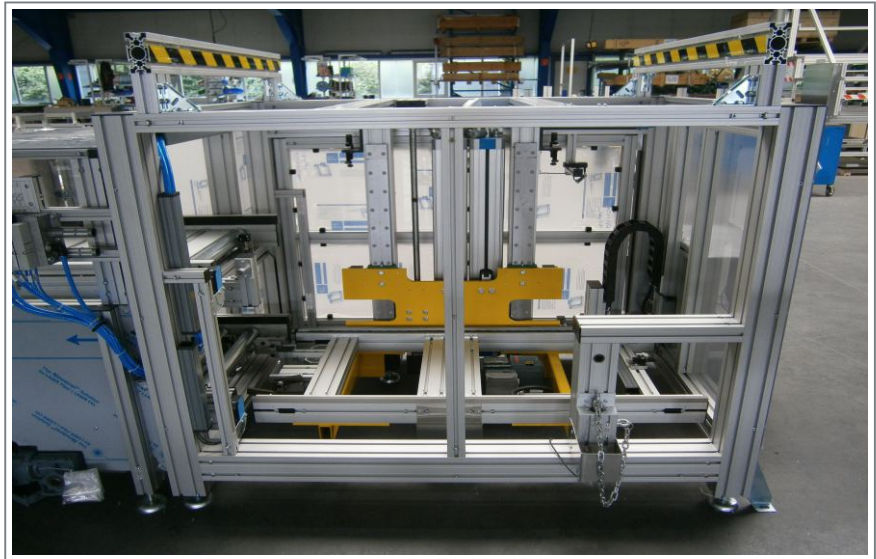


Design

Sturdy cage constructed of ALTRATEC aluminium profiles (steel base frame for lifts with crank drive)

Guiding of lifting frame by means of standard rail guides

Cost-effective implementation with made-to-measure solutions in terms of weight, speed, dimensions and lifting height



Different drive concepts

Pneumatic drives as cost-effective solution for applications with small lift, small to medium weights and moderate cycle times

Electrical drives (controlled and uncontrolled) with crank, synchronous belt or spindle

Carrying capacity of up to approx. 500 kg
(higher loads possible on request)



ALTRATEC Automation GmbH

Stuttgart Plant
Am Längenbühl 1
71229 Leonberg
GERMANY
Ph. +49 7152 3 56 56-0
Fax. +49 7152 3 56 56-29
www.altratec.de · info@altratec.de

Certified according to DIN EN ISO 9001

ALTRATEC Automation GmbH

Chemnitz Plant
Südstraße 9
09221 Neukirchen
GERMANY
Ph. +49 371 28134-0
Fax. +49 371 28134-34
www.altratec.de · info@altratec.de

China Plant

Bachtel Ltd.
Suzhou New District, Suzhou City,
Jiangsu Province
China, PC. 215151
Ph. +86 512 65 36 00 65
Fax. +86 512 65 36 09 06